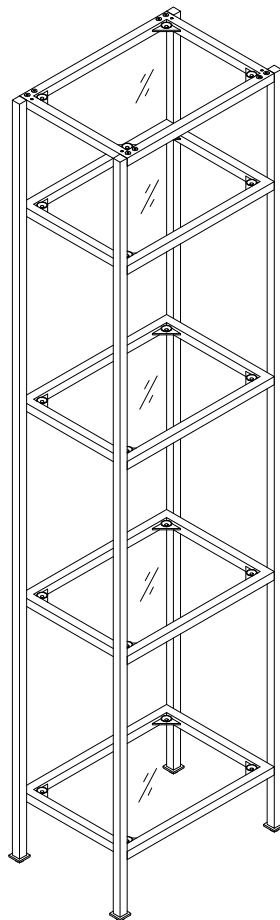
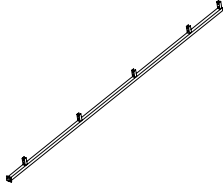
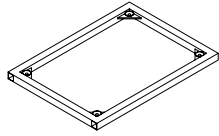
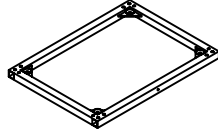
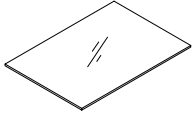




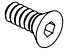


Narrow Etagere
CF6114



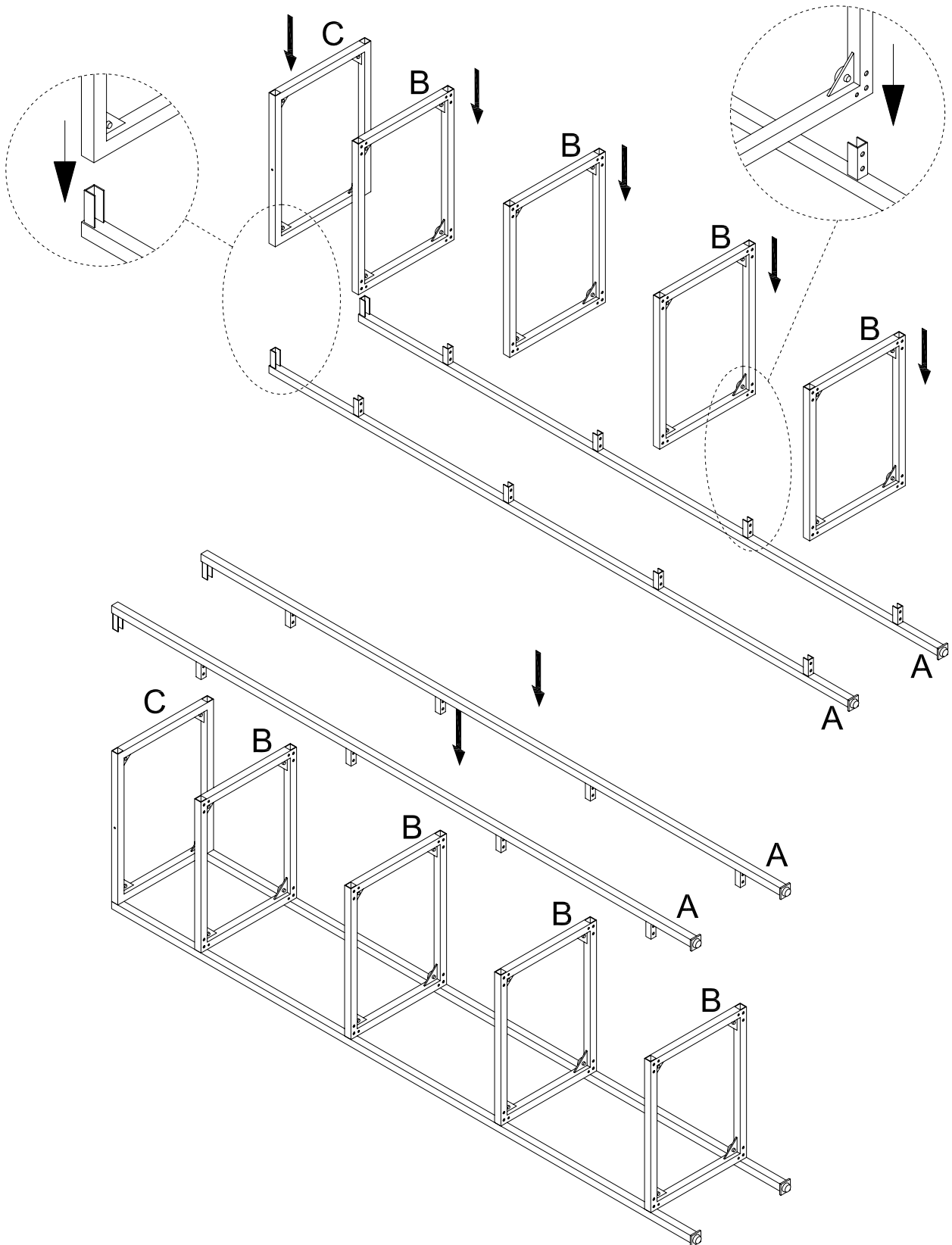
PART LIST

<p>A</p> 	<p>B</p> 	<p>C</p> 	<p>D</p> 
<p>Leg 4 PCS</p>	<p>Shelf Frame 4 PCS</p>	<p>Top Shelf Frame 1 PC</p>	<p>Glass Shelf 5 PCS</p>

HARDWARE LIST

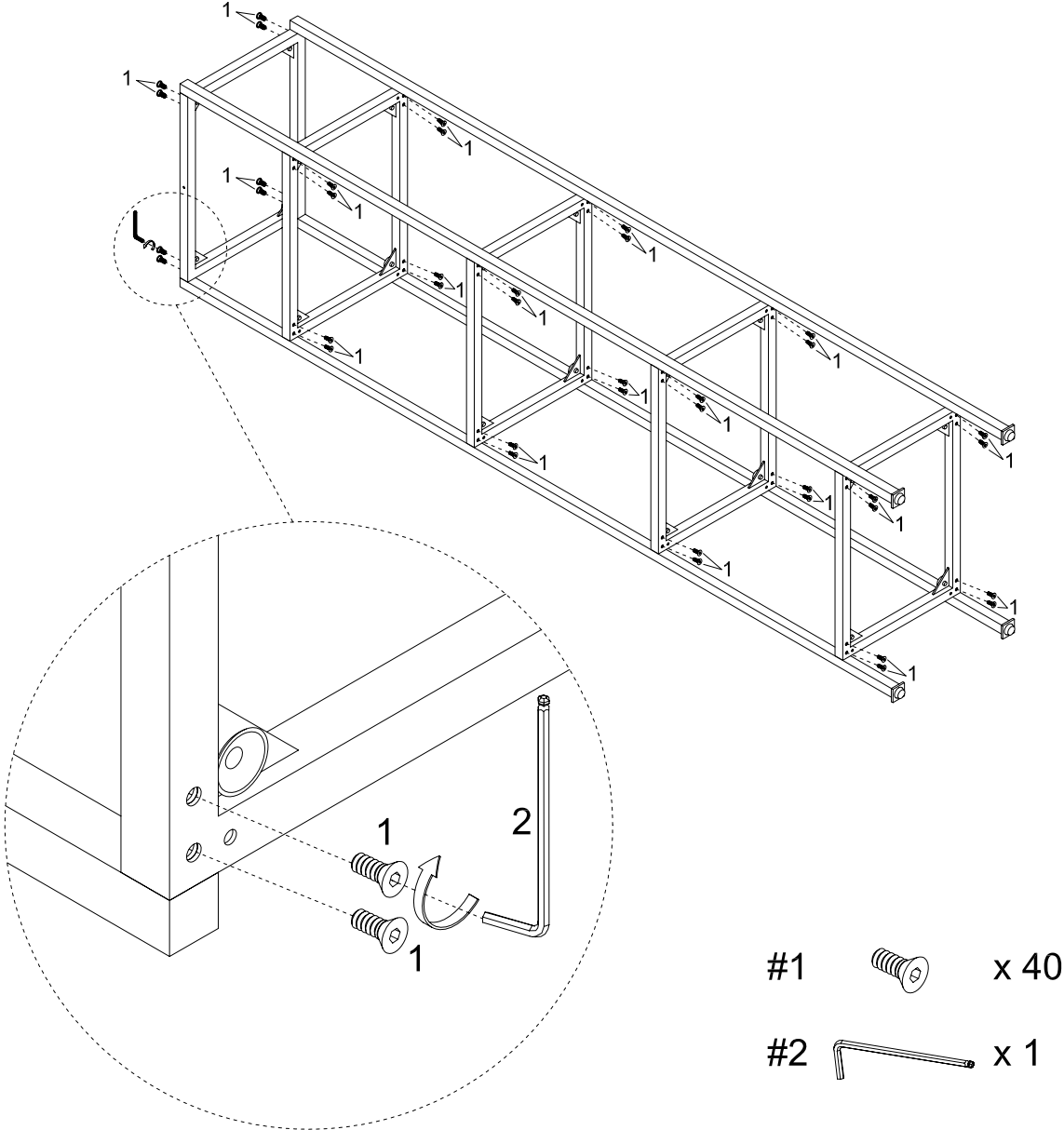
<p>1</p> 	<p>2</p> 	<p>3</p> 
<p>1/2"xØM6xD10</p> <p>Bolt 42 PCS (Extra 2)</p>	<p>Allen Wrench 1 PC</p>	<p>Safety Strap Kit 1 Set</p>

Step 1. Carefully lay two legs (part A) down on a flat, soft surface, such as carpet as shown below. Attach top shelf frame (part C) and shelf frames (part B) to legs (part A) by inserting the U-shape brackets on legs (part A) into corner openings of top shelf frame (part C) and shelf frames (part B). Attach remaining two legs (part A) to assembled unit (parts A, B & C) using the same method mentioned earlier.

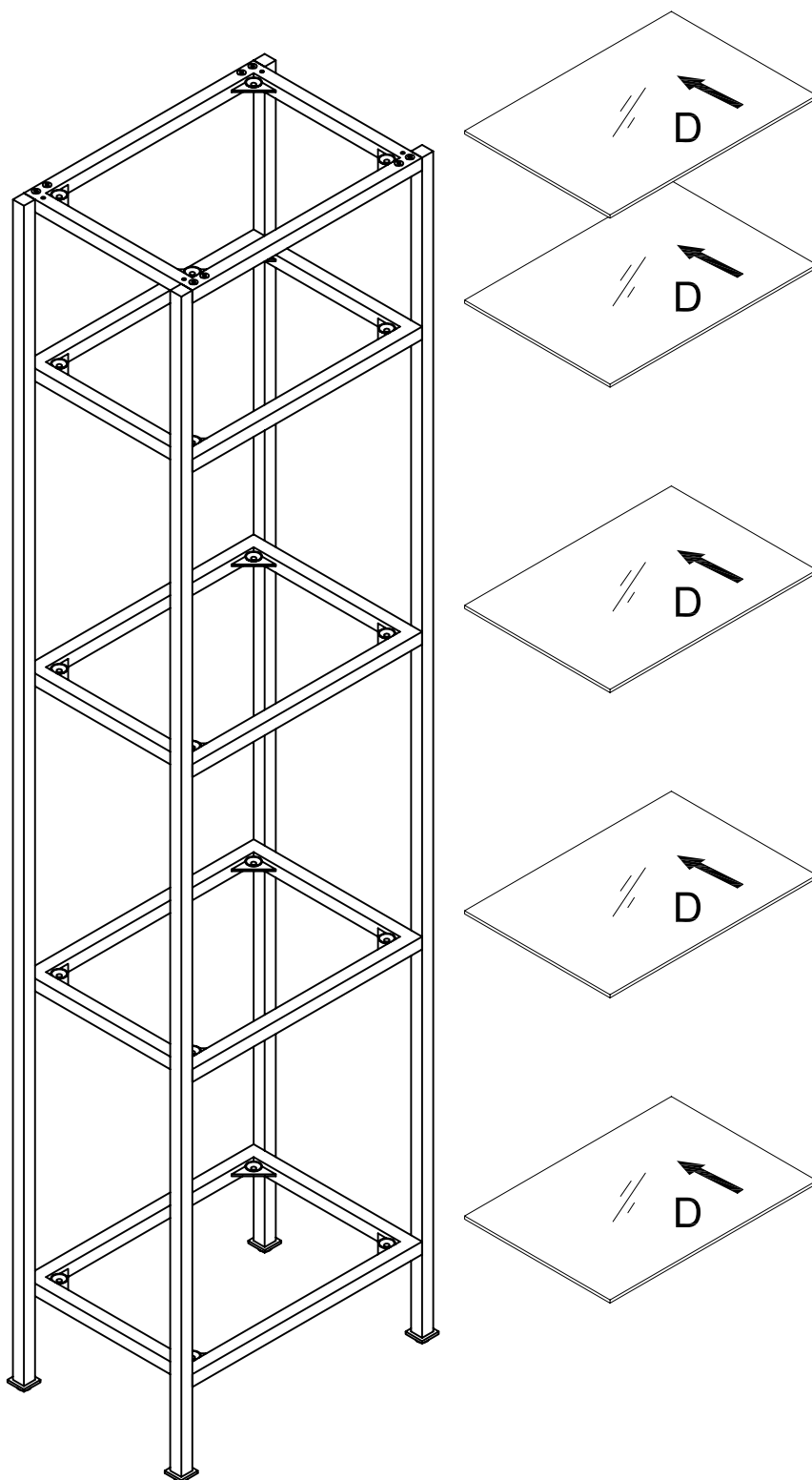


Step 2. Secure top shelf frame (part C) and shelf frames (part B) to the legs (part A) using bolts (part #1) and allen wrench (part #2). Bolts (part #1) will be inserted from the opposite direction for top shelf frame (part C) only.


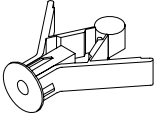
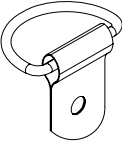



Note: Please do not fully tighten bolts until all of them are in place.



Step 3. Carefully turn the unit upright. Install glass shelves (part D) into the frame as shown.



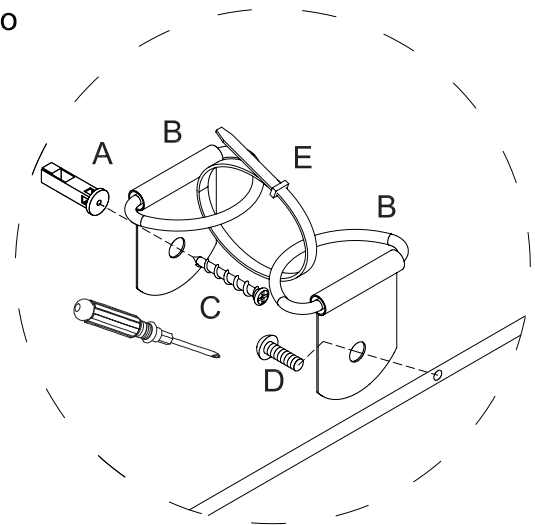
Step 4.

3	A	B	C	D	E
			 D8*1-1/2"	 D10*1/2"	
Safety Strap Kit 1 Set	Wall Anchor 1 PC	Hook 2 PCS	Screw 1 PC	Bolt 1 PC	Safety wall Strap 1 PC

SAFETY WALL STRAP INSTALLATION

Note: It is highly recommended to install this safety strap kit to prevent tipping, damage and/or injury.

- 1) Attach hook (B) to top shelf frame (part C of etagere) using bolt (D) and philips head screwdriver. Attach it to the predrilled hole in the top shelf frame (part C of etagere).
- 2) Drill a 11/32" hole in the wall where this unit will be secured. The drilled hole will be at the same height as the hole in the top shelf frame (part C) where the hook (B) was attached.
- 3) Attach hook (B) to wall anchor (A) using screw (C) and philips head screwdriver.
- 4) Insert safety wall strap (E) through both hooks (B) and tighten to secure.



Note: This item is not intended for clothing storage use.

